



User Manual



PROPOWER

500W

PP-500-24

90~264VAC

PFC

/ / /

TS-35/7.5 or 15

50mm

100%

LED

DC OK ()

(PP-500R)

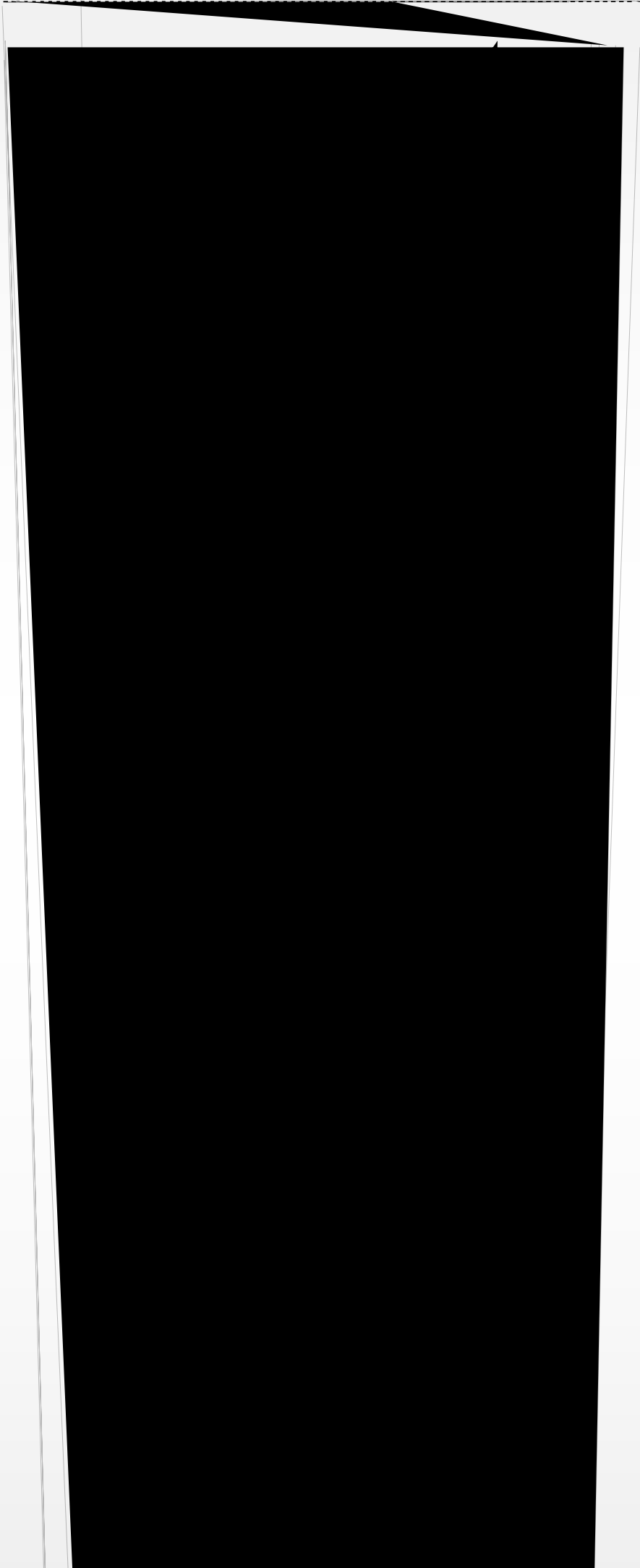
/

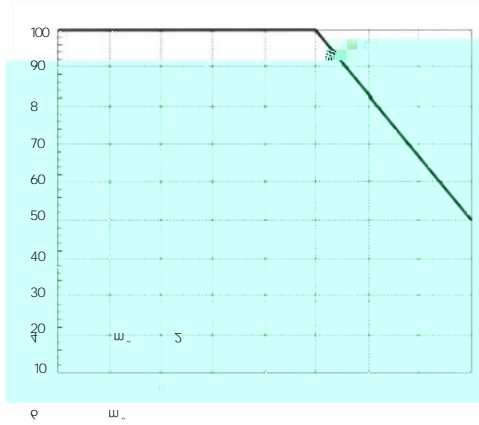
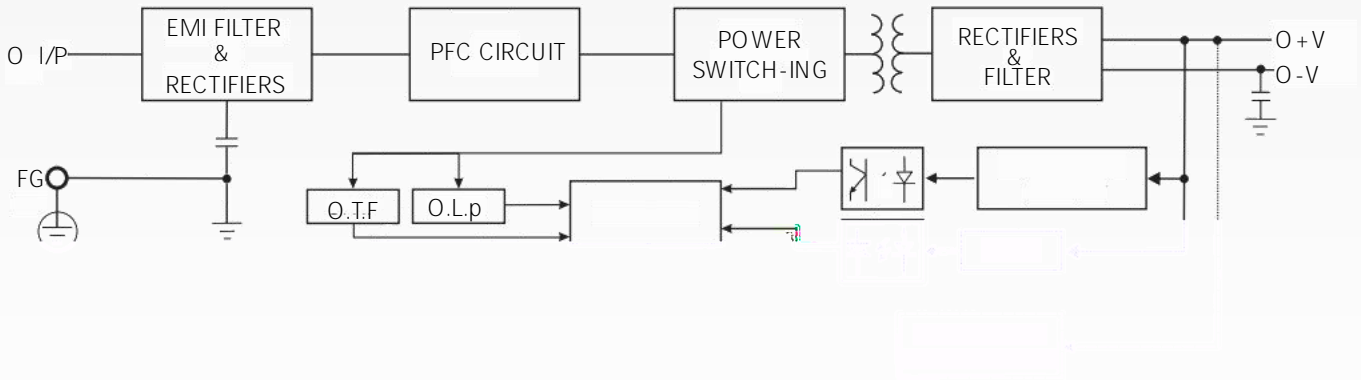
3

IEC/EN/UL 62368-1

| | | PP-500-24 |
|--|-----|---------------------------------------|
| | | 90 264VAC 127 370VDC(' " |
| | | 47 63Hz |
| | () | PF>0.98/115VAC PF>0.95/230VAC |
| | () | 93.5% |
| | (| 5A /115VAC 3.2A /230VAC |
| | (| 20A /115VAC 40A /230VAC() |
| | | < 2mA /240VAC |
| | | 24V |
| | | 20.8A |
| | | 0 20.8A |
| | | 499.2W |
| | () | 150mVp-F |
| | | 24 28V |
| | | ± 1% |
| | | ±0.5% |
| | | ± 1% |
| | | 1500ms,50ms/230VAC 3000ms,50ms/115VAC |

| | | | |
|--|-----------|--|-------------|
| | (| 4ms/230VAC | 14ms/115VAC |
| | | 110% | 140% |
| | | >0.2s, | |
| | | 29 | 35V |
| | | | |
| | DC OK () | ():30VDC/1A | |
| | PP-500R | | |
| | | -30 +60 (" "),20 90%RH | |
| | | -40 +85 ,10 95%RH | |
| | | ±0.03%/ (0 50) | |
| | | 10 500Hz,2G 10min./1 cycle,each akong X Y Z axes | |
| | | 50*125.1*110mm(W*H*D) | |





8
0

